

GEN-R80-K Stainless Steel 316 Padlockable Latch Hook

Features

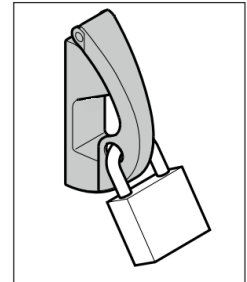
- Latch type tip prevents hooked items from falling off
- With a hole for optional padlock
- Chain or rope up to $\varnothing 12$ in diameter can be hung
- Slim design suitable for installation to door or window frame

Notes

- Recommended padlock **GPWL-30** or **GPWL-30L**, contact Gripwell for assistance

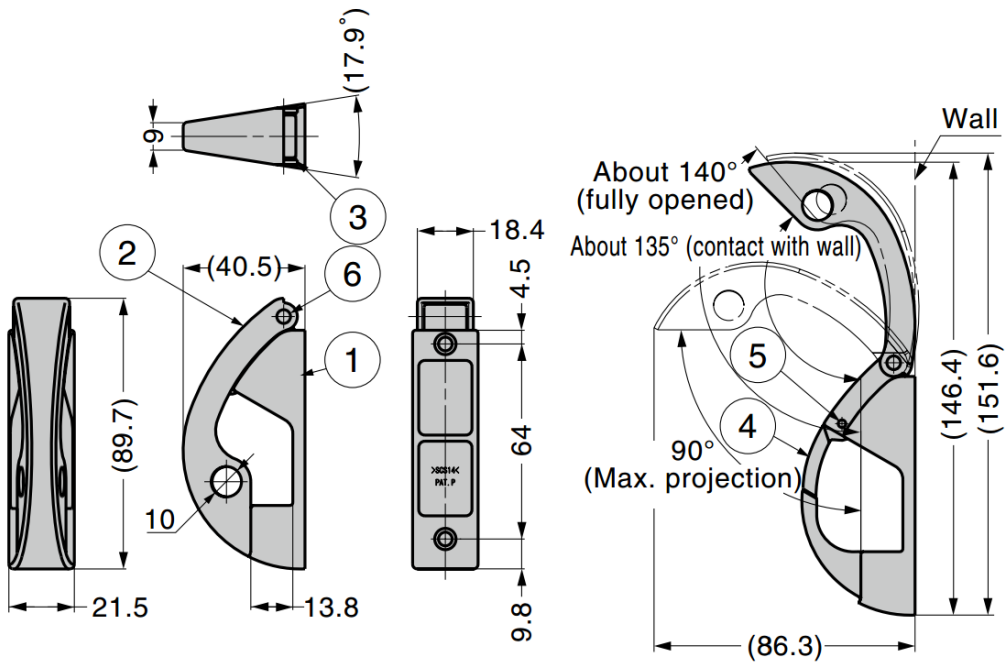
Parts Included

- Pan head tapping screw 4×25 (SUS)



No.	Part Name	Material	Finish
①	Body	Stainless Steel (SCS14)	Polished
②	Cover	Stainless Steel (SUS316)	
③	O-Ring	Ethylene Propylene Rubber (EPDM)	Black
④	Lever	Stainless Steel (SCS14)	Polished
⑤	Shaft	Stainless Steel (SUS316)	Plain
⑥	Cover Shaft		

※SCS14 is equivalent of SUS316.



Part No.	Applicable Rope Diameter	Padlock Hole Diameter	Load Capacity	
GEN-R80-K	Max. $\varnothing 12$	10	196 N	20 kg